

Meyer TIMBER®

Changes to the National Construction Code (NCC 2022) mean that set down wet areas will become increasingly common. These include:

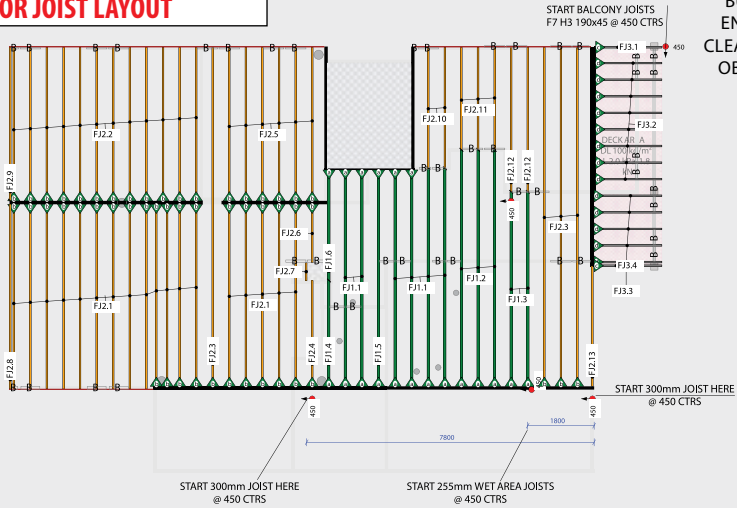
- A fall in the floor is now required to all floor wastes, including non-mandatory wastes.
- The fall in the floor has been increased to 1:80 minimum.
- Finally, at grade connections are no longer allowed to branch drains, with incline to be at least 15°.

Meyer Timber® has solutions to these changes with our complete range of flooring and joist products.

WET AREA SET DOWNS

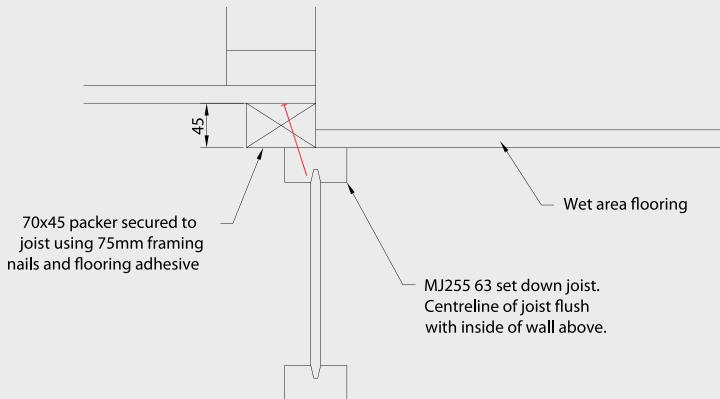
Technical note – July 2022

FLOOR JOIST LAYOUT

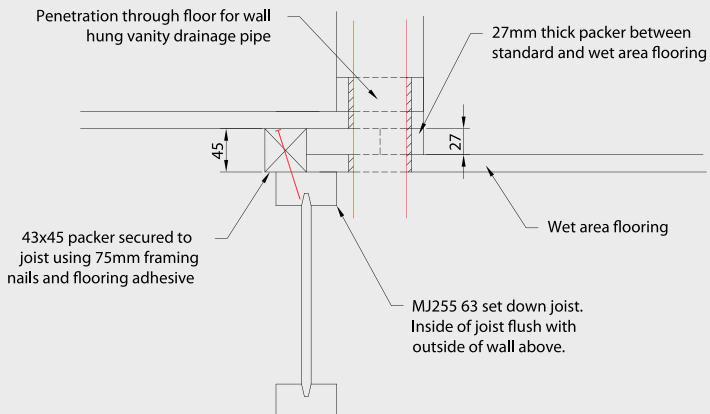


**BUILDER IS TO
ENSURE JOISTS
CLEAR ALL SERVICE
OBSTRUCTIONS**

STANDARD WET AREA TRANSITION



WALL HUNG VANITY TRANSITION



Meyer
TIMBER

meyJOIST

**SELECTIONS FOR
BETTER SPECIFICATION**



**NEW 255MM WET AREA
SET DOWN JOIST**

Meyer
TIMBER
Victoria

Meyer
TIMBER
New South Wales

Meyer
TIMBER
Queensland

Meyer
TIMBER
Western Australia

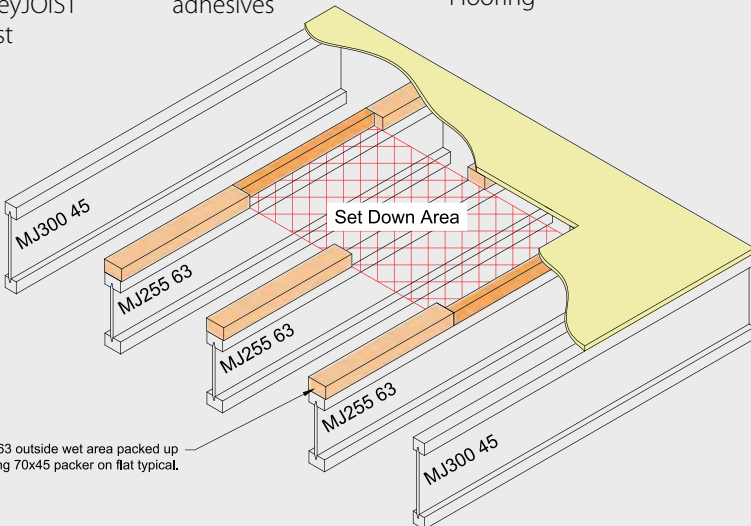
www.meyertimber.com.au

UPDATED MAY 2023
FOR NCC 2022

lightweight
fibre cement
flooring
SPECIFICATION
AND USER GUIDE

TOTAL WET AREA SET DOWN MATERIAL SUPPLY

- meyFC lightweight FC flooring
- MJ255 63 meyJOIST Setdown joist
- Joist packers
- HB Fuller flooring adhesives
- STRUCTAflor Particleboard Flooring
- Simpson Strong Tie QuikDrive Screws



WET AREA SET DOWNS

"We've got you covered!"

meyJOIST

meySPAN13

meyFC
INTERNAL EXTERNAL SOLUTION

 **H.B. Fuller**
GETS THE JOB DONE

SIMPSON

Strong-Tie

Meyer 
TIMBER

Meyer 
TIMBER
Victoria

Meyer 
TIMBER
New South Wales

Meyer 
TIMBER
Queensland

Meyer 
TIMBER
Tasmania

www.meyertimber.com.au